

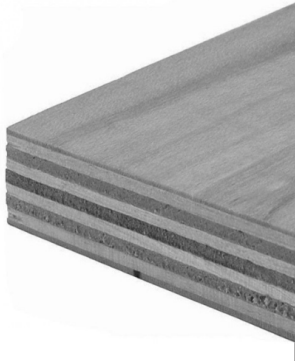
2018

2. (i) Name the manufactured board shown.

NAME

(ii) State **ONE** advantage of using manufactured boards instead of solid wood.

ADVANTAGE



2017


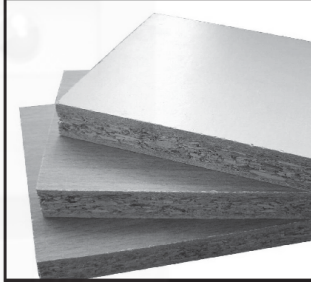
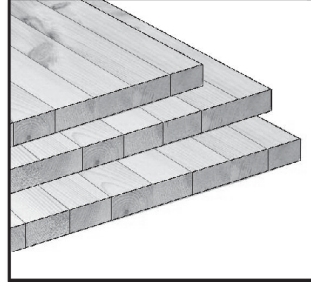
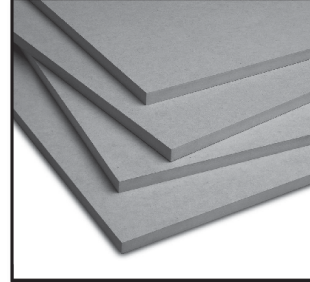
3. (i) Name the **FOUR** manufactured boards labelled **A**, **B**, **C** and **D** below.

A

B

C

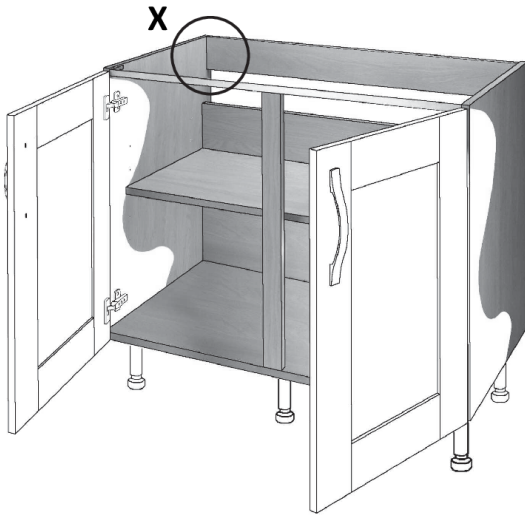
D

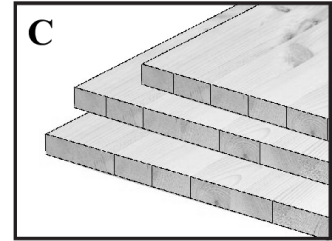
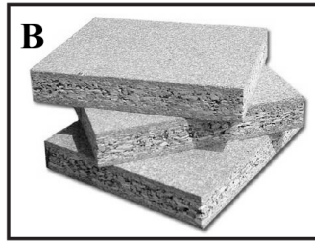
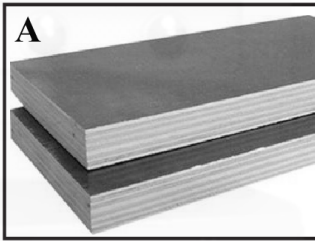
(ii) Briefly outline **FOUR** advantages of using manufactured boards instead of solid wood.

(iii) With the aid of notes and **neat freehand sketches** describe, in detail, the manufacture of board **A** above.

(iv) The methods for joining manufactured boards are usually different from the traditional methods used for joining solid wood. With the aid of notes and **neat freehand sketches** compare **TWO** such methods of joining the board labelled **B** above at a 90° angle, as shown at corner 'X' in the diagram.

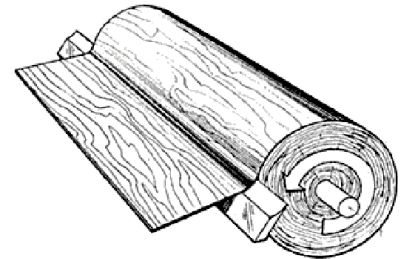


3. (i) Name the **THREE** manufactured boards labelled **A**, **B**, and **C** below.



- (ii) Briefly explain **FOUR** advantages that manufactured boards have over solid wooden boards.
- (iii) With the aid of notes and *neat freehand sketches* describe, in detail, the manufacture of **ONE** of the above boards.
- (iv) Deforestation of our tropical rainforests is an important environmental issue. With reference to protection and conservation:
- State **TWO** reasons why we should conserve our tropical rainforests
 - State **TWO** ways that the use of manufactured boards can help reduce the current rate of global deforestation.

18. The diagram shows a log being peeled to produce a continuous thin layer of wood which is often used in manufactured boards.



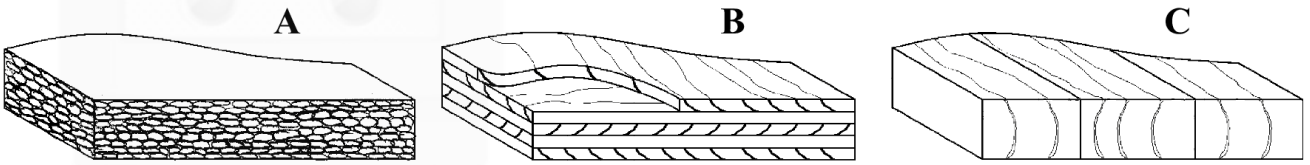
(i) What is the layer called?

NAME

(ii) What is the name of this method of peeling?

METHOD

3. (i) Name the **THREE** manufactured boards, labelled **A**, **B**, and **C**, in the diagrams.



- (ii) State **FOUR** advantages of manufactured boards.
- (iii) With the aid of notes and *neat freehand sketches* describe, in detail, the manufacture of **ONE** of the above boards.
- (iv) State how the use of manufactured boards can help reduce the current rate of global deforestation.

