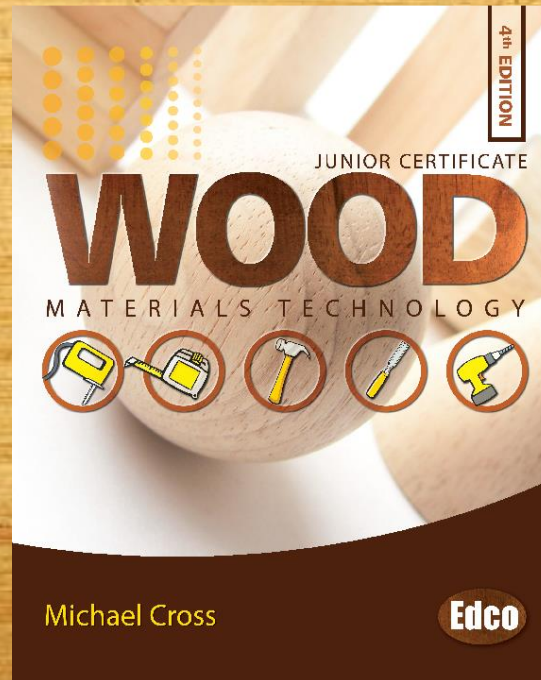


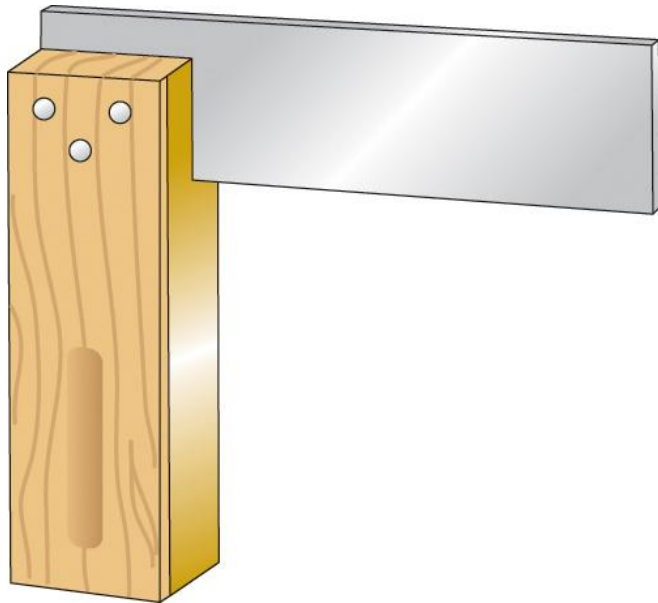
# WOOD MATERIALS TECHNOLOGY

4<sup>th</sup> Edition



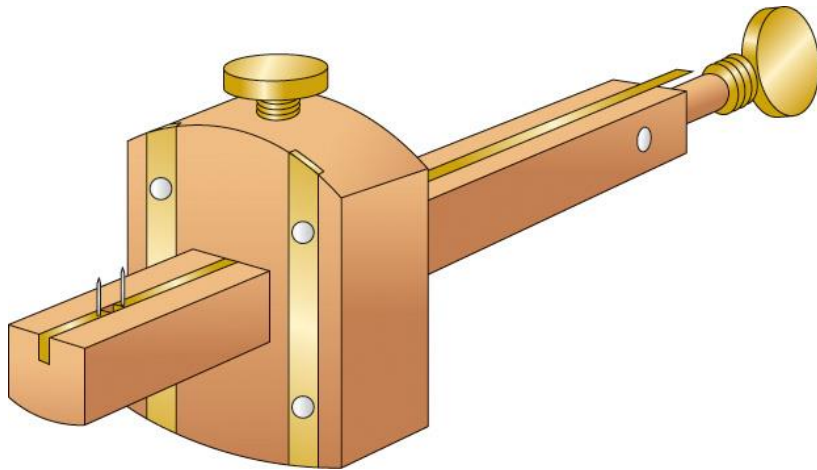


- Name the tool shown and state its use



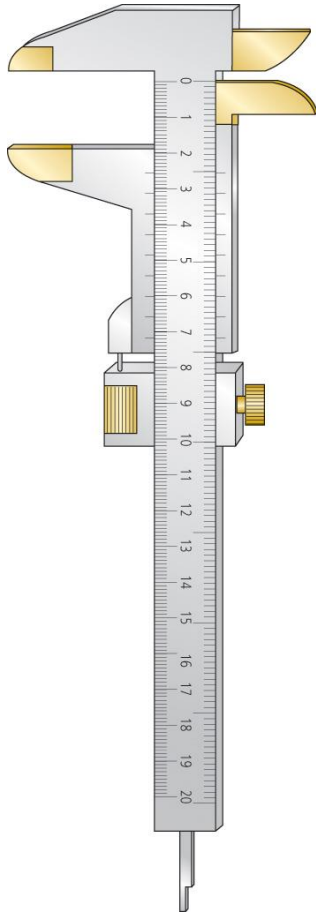
- Try-square
- Used for
  - Drawing lines accurately around a piece of wood
  - For testing the squareness of a piece of wood

- Name the tool shown and state its use



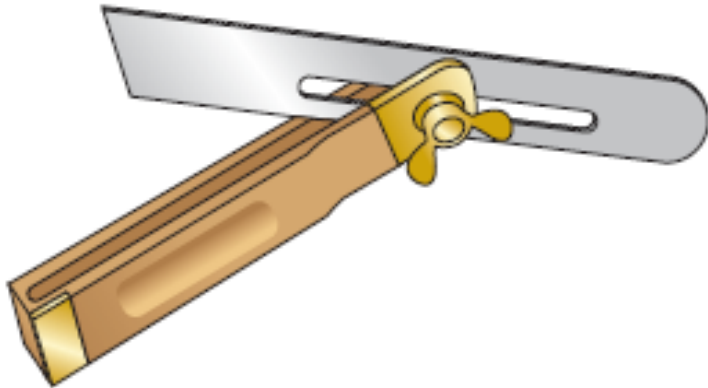
- Mortise gauge
- Used for
  - Marking two parallel gauge lines
  - Marking mortise and tenon joints

- Name the tool shown and state its use



- Vernier callipers
- Used for
  - Measuring thicknesses
  - Checking diameters
  - Measuring depths of holes

- Name the tool shown and state its use



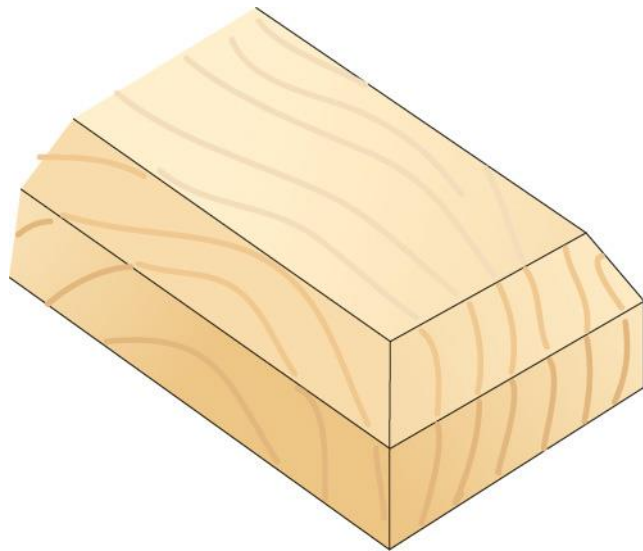
- Sliding bevel
- Used for
  - Drawing lines accurately at an angle across a piece of wood

- Name the tools shown



- Hand saw
- Coping saw
- Tenon saw
- Pad saw

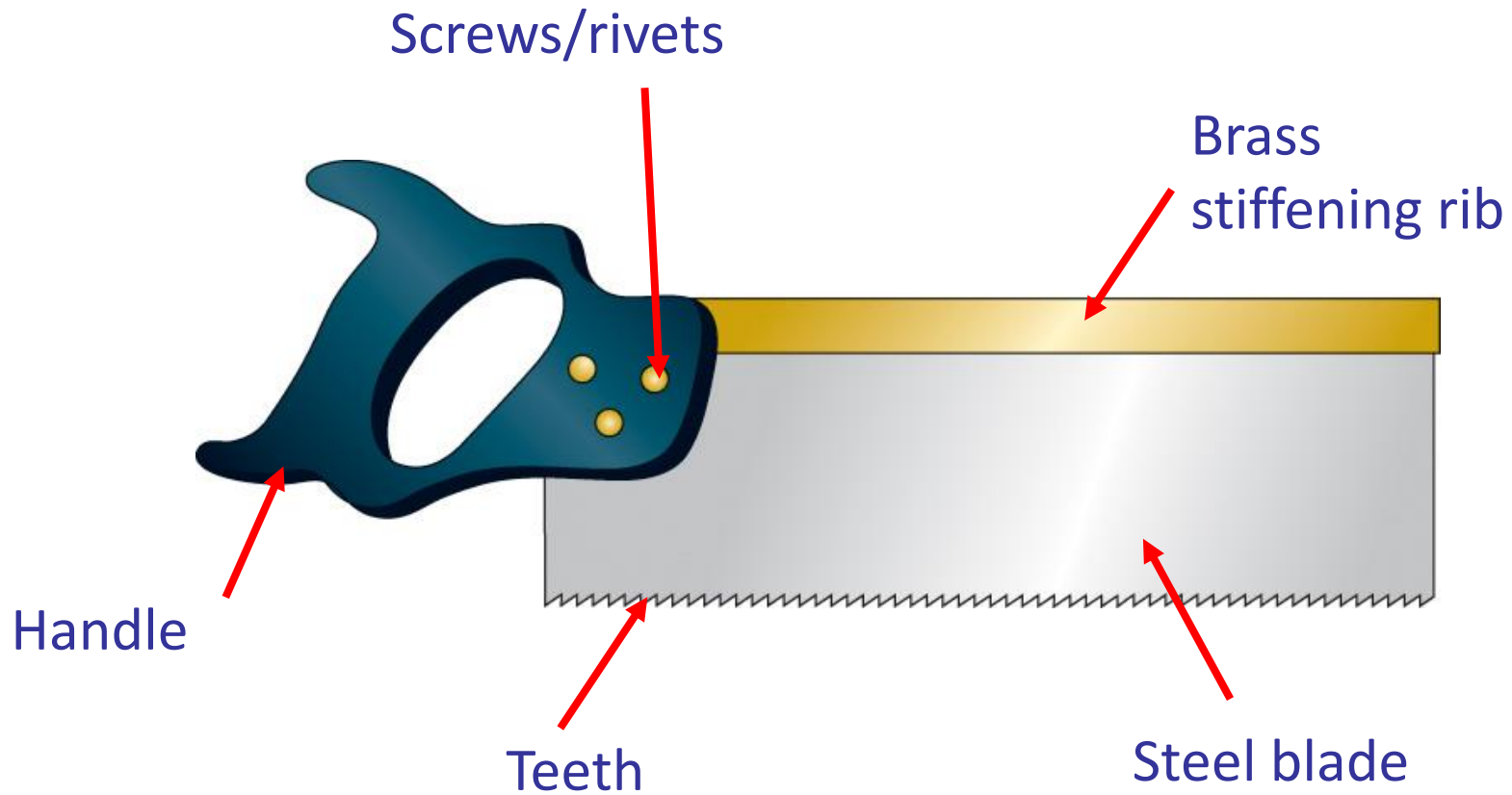
- What is the name given to the moulding in the diagram?



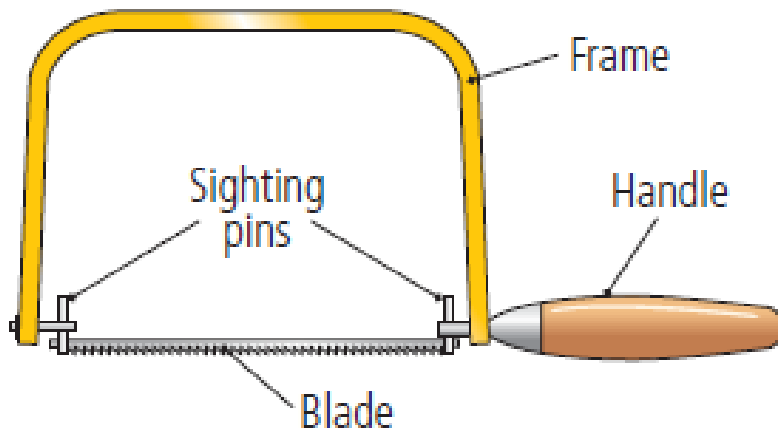
— Chamfer



- Label the parts of the saw

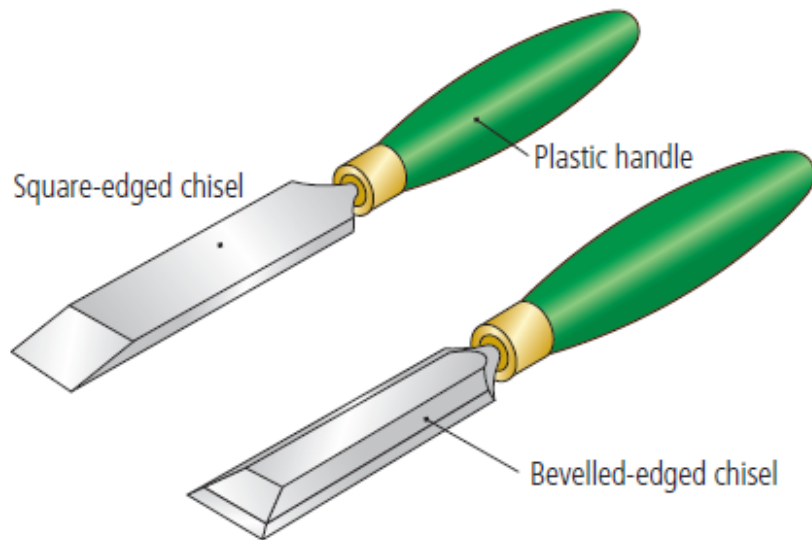


- List the steps that should be taken to change the blade of the coping saw

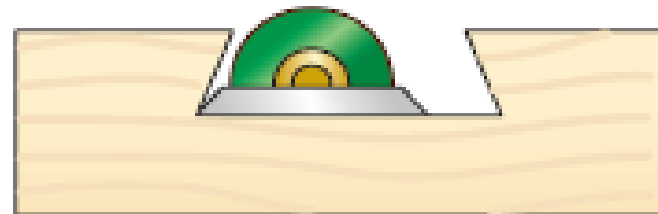


- Slot the new blade into the sighting pins
- The teeth point back towards the handle
- Retighten the handle
- Line up the pins by sight so that the blade is straight

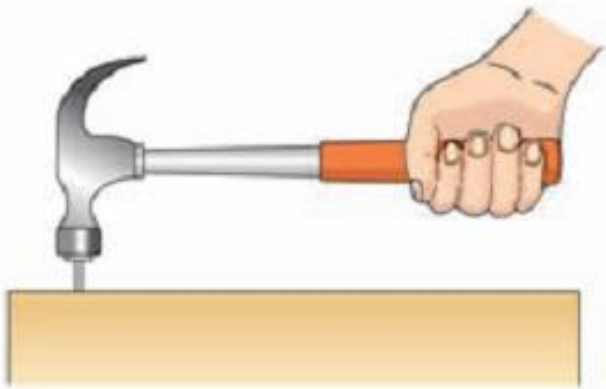
- What is the purpose of the bevelled edge on the bevelled edge chisel?



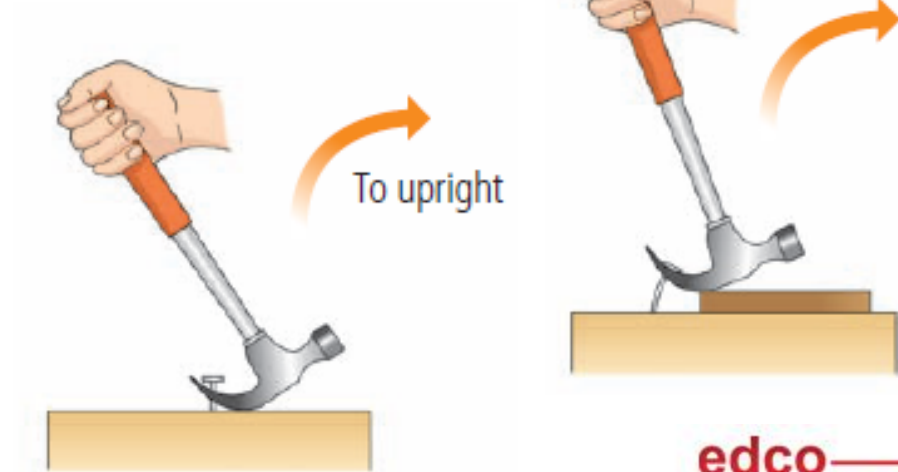
- The bevelled edges allow the chisel to fit into tight corners such as a dovetail



- What is the purpose of the claw on the hammer?



- For pulling nails out of wood



- Name the tool shown and state its use
- Carver's mallet
- Used
  - To tap the end of a carving chisel

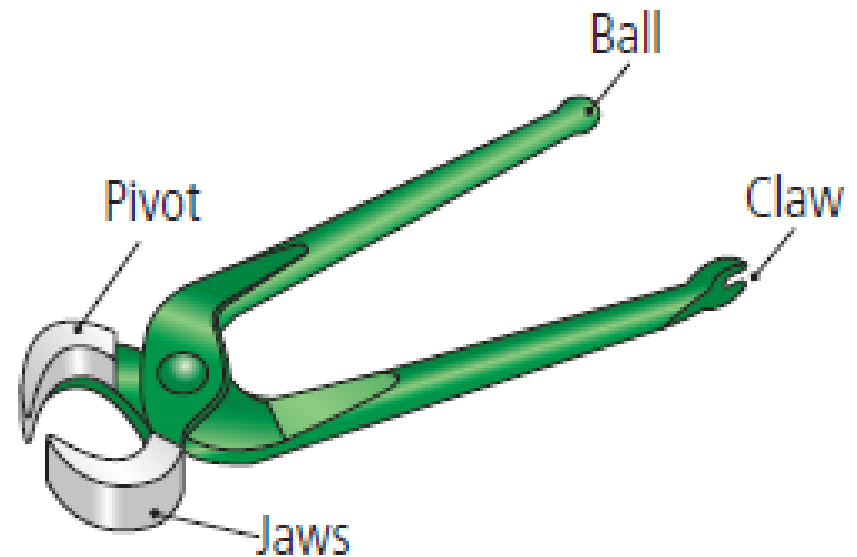


- Name the tool shown and state its use

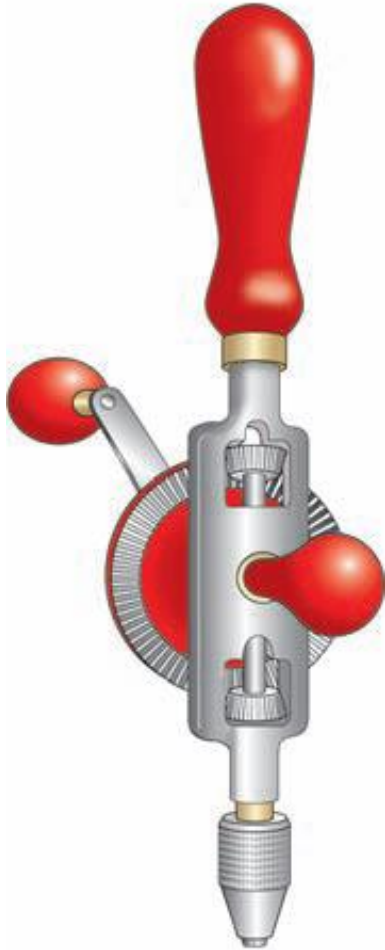
- Pincers

- Used for

- Pulling nails and panel pins from wood



- Name the tool shown and state its use



- Hand drill
- Used for
  - Drilling holes of small diameter in wood
  - Holds a countersink bit

- Name the tool shown and state its use

- Bradawl

- Used for

- Making pilot holes in wood for small nails and screws



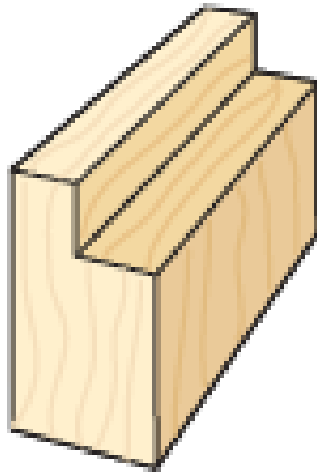


- Name the tool shown and state its use



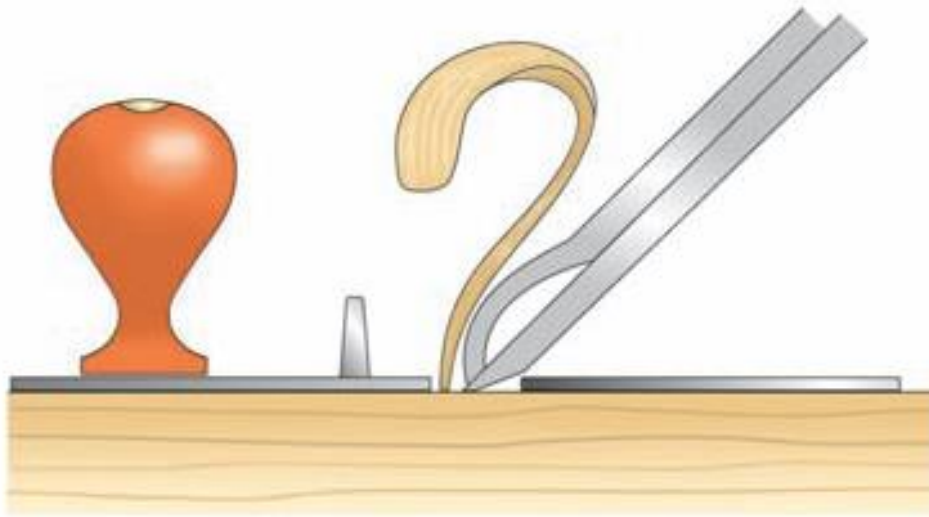
- Smoothing plane
- Used for
  - Smoothing pieces before sanding
  - Planing end grain

- Name the moulding shown and name a tool that could be used to create it



- Rebate
  - Router
  - Rebate plane

- When planing wood, what makes the shavings curl?



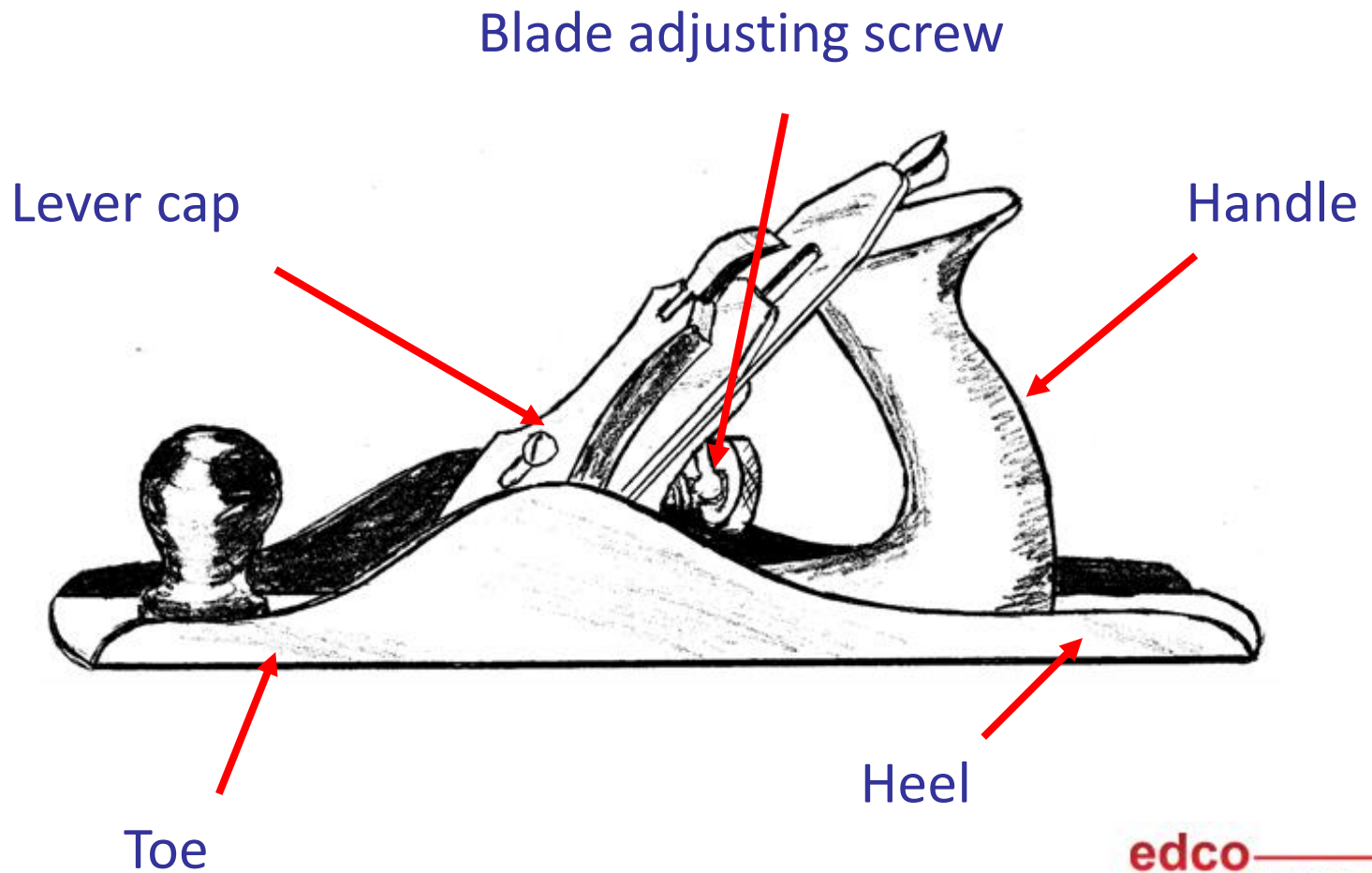
- Cap iron

- Name the moulding shown

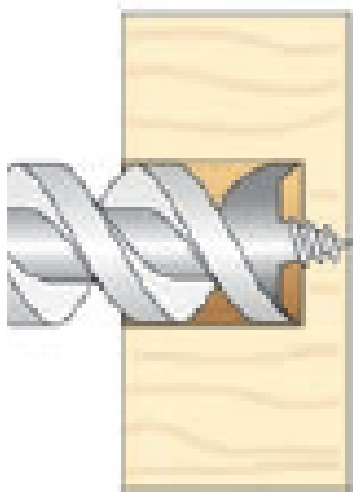
- Stopped chamfer



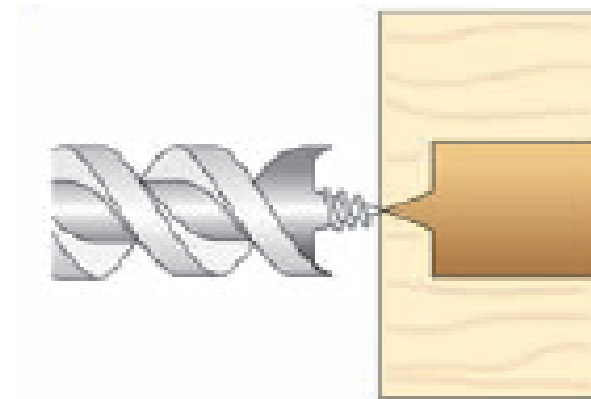
- Name the parts of the plane shown



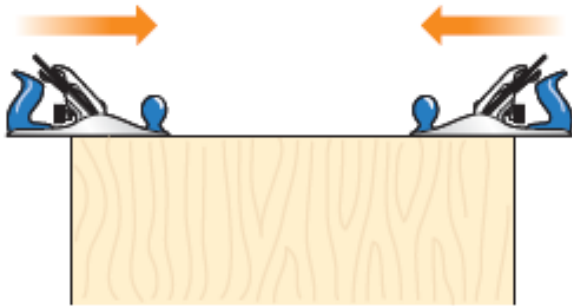
- When drilling a piece of wood, how do you prevent the bit damaging the piece?



- Reverse the piece and drill from the back



- Describe two methods of planing end grain to avoid damaging the piece



- Plane from both ends



- Clamp a waste piece to the board